

户外机柜交流空调器-N系列

Outdoor Cabinet AC Air Conditioner-N Series

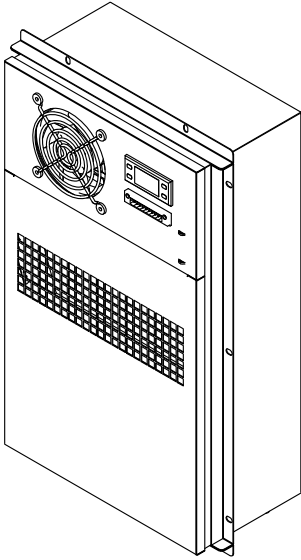
产品简介

应用范围

本产品广泛应用于户外通讯机柜、电池柜、电气柜、工业控制柜等需要散热的场合;

设计专长

- 实现遥测、遥信、遥调，可实现多重自动保护和全面的故障自诊断功能；
- 精湛工艺及高质量国际名牌配件确保产品更加稳定可靠；
- 适合T3高温工况、R134a环保制冷剂；
- 多重保护功能、可视化人机界面、RS485接口(MODBUS-RTU)；
- LED数码管显示，现场参数可设置；
- 加热功能、排氢功能可选；
- 干接点告警输出，常开/常闭可选；
- 安全防盗，无需增加防护罩。



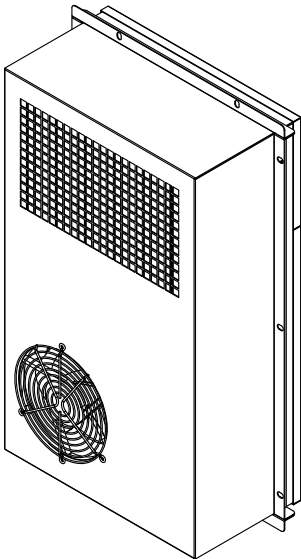
Product Introduction

Range of application

This series product can be widely used in enclosed area for climate control, such as wireless communication cabinet, battery cabinet, industry control cabinet etc;

Product Design Feature

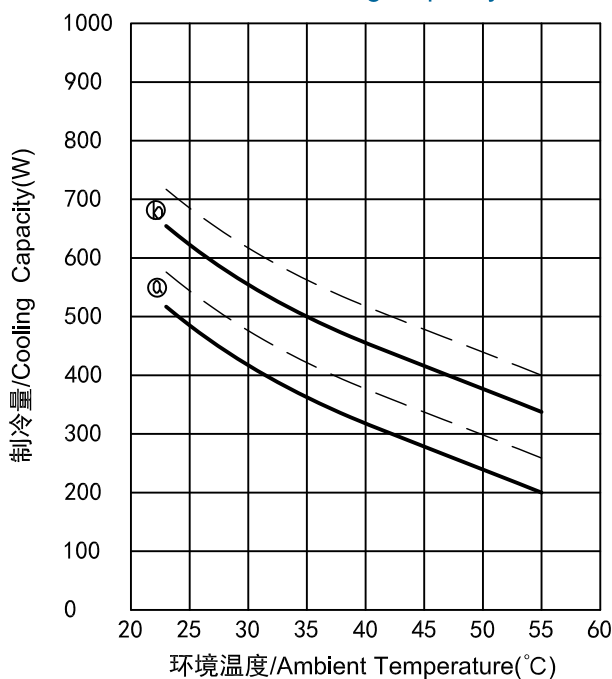
- Remote measuring, remote communication, remote control, which can realize multiple automatic protection and comprehensive self-testing function;
- Strict process control and famous brand components to ensure high quality and reliability of this product;
- Fit for harsh condition (T3), R134a refrigerant ;
- Multiple self-protection design & visible monitoring interface, RS485 communication port (MODBUS-RTU protocol);
- LED display, all the settings can changed at the field;
- The heating function and the hydrogen function is optional;
- Dry contact alarm output, NO/NC optional;
- Anti-theft design, without the protection cover.



技术参数 / Technical Parameters

产品名称	Name	户外机柜空调器/Outdoor Cabinet Air Conditioner
型号	Model	JGLC A 005/N/E/A
固定方式	Mounting Method	半嵌入/ Semi-embedded Mounting
电源	Power Supply	230VAC±15% 50Hz/60Hz
制冷量	Cooling Capacity	500W@L35/L35
功耗	Power Consumption	240W@L35/L35
制冷量	Cooling Capacity	330W@L35/L55
功耗	Power Consumption	310W@L35/L55
内循环风量	Internal Airflow	120 m ³ /h
工作温度范围	Working Temperature Range	-40℃~+55℃
最大噪音	Max Noise Level	60dB(A)
IP等级	IP Grade	IP55
净重	Net Weight	15kg
制冷剂	Refrigerant	R134a
外形尺寸	Dimensions	549x319x175(mm,HxWxD)
CE 和环保	CE&RoHS Compliant	符合/YES
表面处理	Surface Treatment	Outdoor type powder coating, standard color: RAL7035
加热器	Heater	可选择(500W) / Optional(500W)
排氢功能	Hydrogen Function	可选择/ Optional

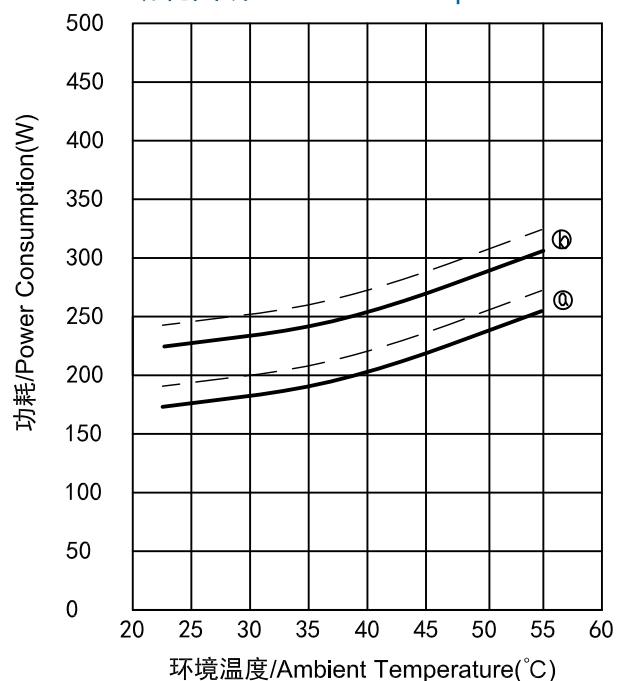
冷量曲线/Cooling Capacity Chart



柜内温度 ①----25℃ ②----35℃
 Cabinet Inside Temperature ①----25℃ ②----35℃

—— 50Hz
 - - - 60Hz

功耗曲线/Power Consumption Chart

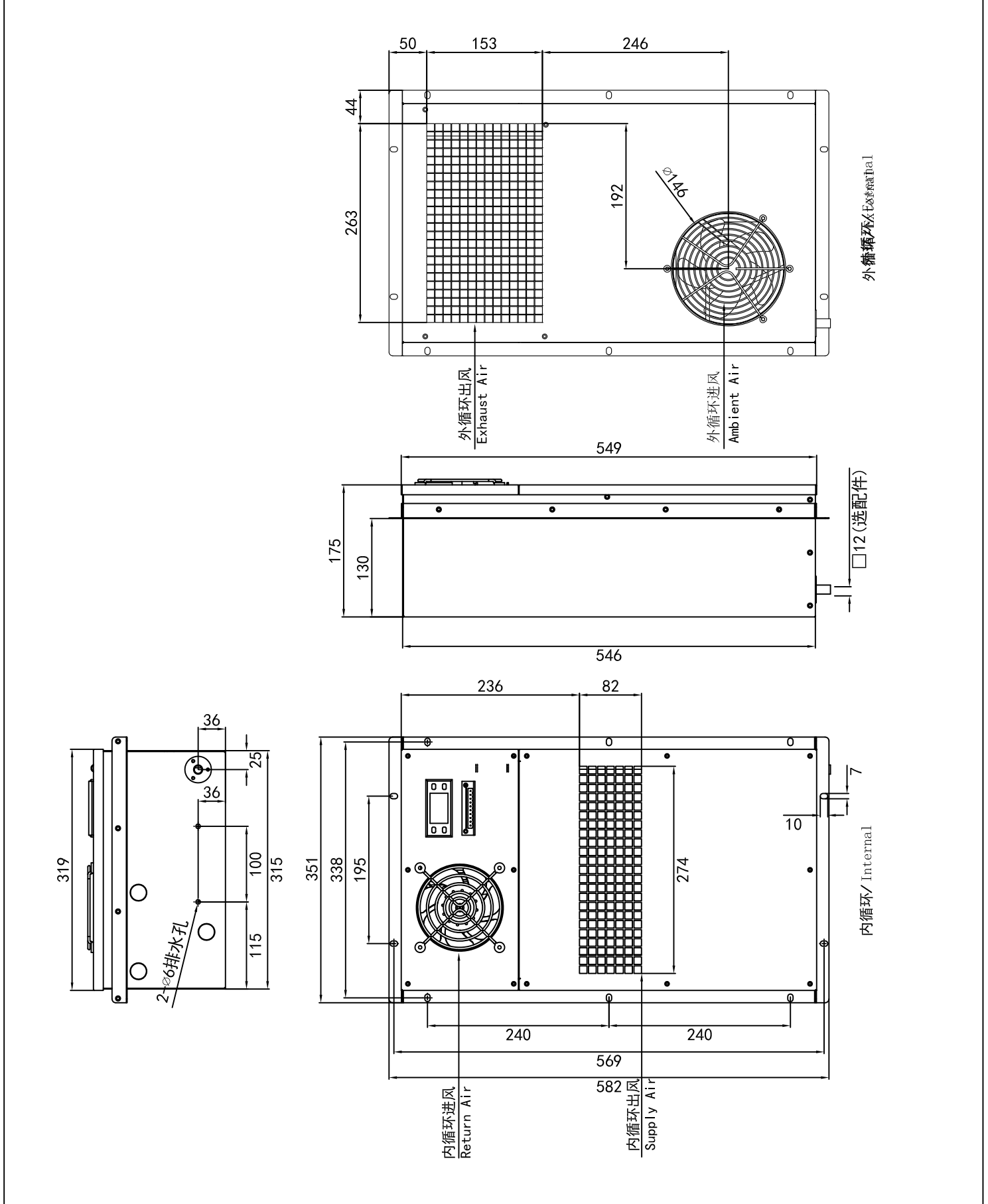


柜内温度 ①----25℃ ②----35℃
 Cabinet Inside Temperature ①----25℃ ②----35℃

—— 50Hz
 - - - 60Hz

外形尺寸 / Product Dimension

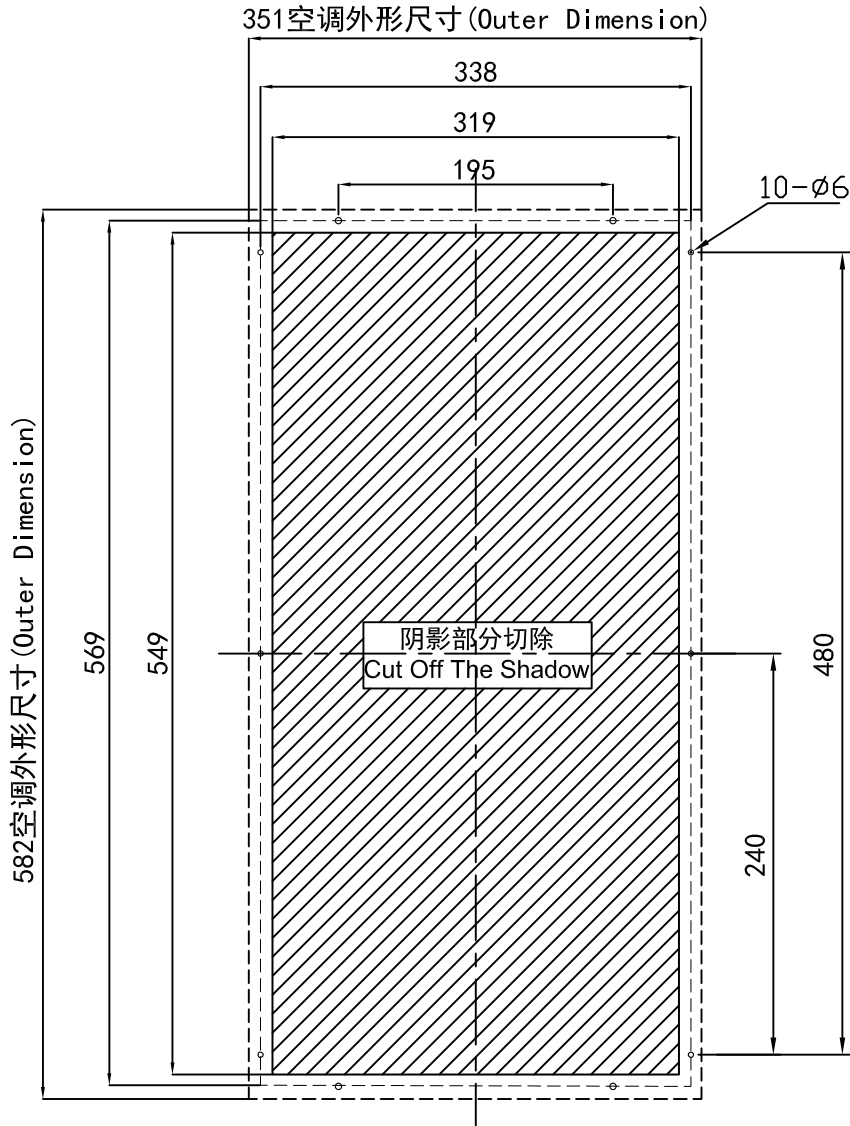
产品代码/Code	产品型号/Model	安装方式/Installation
86281	JGLC A 005/N/E/A	半嵌入/Semi-embedded Mounting



安装尺寸 / Installation Dimension

产品代码/Code	产品型号/Model	安装方式/Installation
86281	JGLC A 005/N/E/A	半嵌入/ Semi-embedded Mounting

柜门开孔尺寸/Cabinet Door Cutting Dimension



安装图示/Installation Diagram

